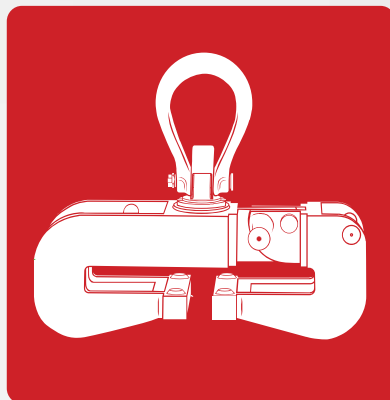
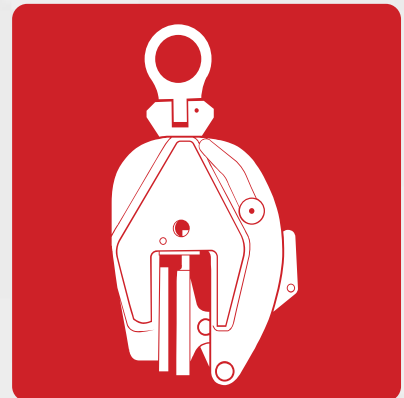
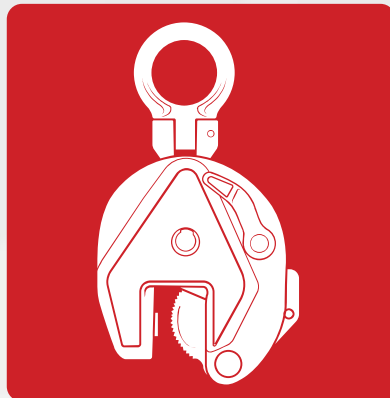


LIFTING CLAMPS & MAGNETS

Innovative lifting clamps for safer and more efficient lifts.



theCrosbygroup[®]
thecrosbygroup.com

IPU10

Universal - for lifting in any direction

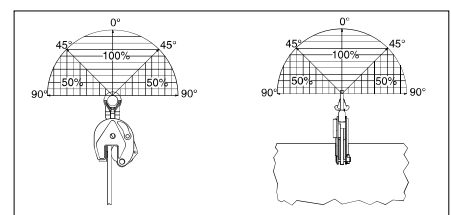
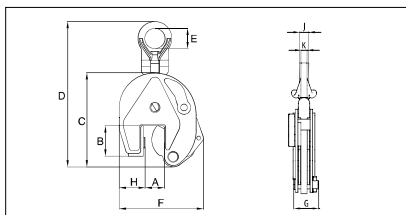
- Available in capacities of .5 thru 30 metric tons (higher Working Load Limits are available upon request).
- Wide variety of jaw openings available: 0 to 155mm.
- Welded alloy steel body for strength and smaller size. Forged alloy components, where required.
- Individually Proof Tested to 2 times the Working Load Limit with certification.
- Company name (Crosby IP), logo, Working Load Limit and jaw opening permanently stamped on body.
- Each product is individually serialized, with the serial number and Proof Load test date stamped on body. User manual with test certificate is included with each clamp.
- Available in a variety of styles:
 - IPU10 - Standard clamp for materials with a surface hardness to 363HV10 (345 HB).
 - IPU10J - Larger jaw opening.
 - IPU10S - For use with stainless steel material.
 - IPU10H - For use with materials with a surface hardness to 472HV10 (450 HB).
- Full 180° turning range for material transfer, turning or moving.
- Lock open, lock closed ability with latch for pretension on material and then release of material.
- For use with materials with a surface hardness to 279HV10. Only 5% minimum WLL is needed.
- Maintenance and repair kits are available.
- Minimum WLL is 5% of maximum WLL for .5t IPU10 only.
- Minimum WLL is 10% of maximum WLL for all other IPU10, IPU10J, IPU10S, IPU10H clamps.

IPU10S

Model IPU10 / IPU10J / IPU10S / IPU10H


Model	Working Load Limit (t)*	Stock No.	Weight Each (kg)	Dimensions (mm)									
				Jaw A	B	C	D	E	F	G	H	J	K
IPU10	0.5	2701675	1.9	0 - 16	44	130	216	40	115	42	28	-	11
IPU10	1	2701663	2.4	0 - 20	45	139	225	40	127	42	38	-	11
IPU10	2	2701677	8.5	0 - 35	78	201	368	70	188	64	55	-	16
IPU10	3	2701665	14.8	0 - 40	100	253	436	75	222	78	60	-	20
IPU10	4.5	2701667	16.0	0 - 40	100	253	436	75	227	82	65	-	20
IPU10	6	2701669	24.0	0 - 50	126	302	525	80	292	84	95	44	20
IPU10	9	2701671	29.5	0 - 50	126	325	552	80	310	94	104	44	20
IPU10	12	2701679	57.0	0 - 54	160	392	616	80	433	121	137	41	25
IPU10	16	2701683	79.0	5 - 64	180	463	736	88	492	121	153	45	25
IPU10	22.5	2701687	126.0	5 - 80	222	554	863	110	565	139	186	49	25
IPU10	30	2701691	141.0	5 - 80	222	554	868	110	580	153	186	54	30
With larger jaw opening													
IPU10J	0.5	2701647	1.9	15 - 30	45	128	209	40	128	42	32	-	11
IPU10J	1	2702463	2.5	20 - 40	55	151	221	40	141	42	41	-	11
IPU10J	3	2702465	17.3	40 - 80	115	270	432	75	277	78	67	-	20
IPU10J	4.5	2702467	18.9	40 - 80	115	270	432	75	281	82	72	-	20
IPU10J	6	2702469	26.5	50 - 100	126	302	515	80	336	84	95	44	20
IPU10J	9	2701673	30.5	50 - 100	126	325	550	80	360	94	105	44	20
IPU10J	12	2701681	65.0	54 - 108	178	438	662	80	491	121	136	41	25
IPU10J	16	2701685	85.0	64 - 128	208	521	784	88	562	121	160	45	25
IPU10J	22.5	2701689	149.0	80 - 155	255	628	938	110	660	139	196	49	25
IPU10J	30	2701693	165.0	80 - 155	255	628	942	110	660	153	196	54	30
For stainless steel - with universal hoisting eye													
IPU10S	0.5	2702275	1.9	0 - 16	44	130	216	40	115	42	28	-	11
IPU10S	1	2702263	2.4	0 - 20	45	139	225	40	127	42	38	-	11
IPU10S	2	2702277	8.5	0 - 35	78	201	368	70	188	64	55	-	16
IPU10S	3	2702265	14.8	0 - 40	100	253	436	75	222	78	60	-	20
IPU10S	4.5	2702267	16.0	0 - 40	100	253	436	75	227	82	65	-	20
IPU10S	6	2702269	24.0	0 - 50	126	302	525	80	292	84	95	44	20
IPU10S	9	2702271	29.5	0 - 50	126	325	552	80	310	94	104	44	20
IPU10S	12	2702279	57.0	0 - 54	160	392	616	80	433	121	137	41	25
For very hard materials - with universal hoisting eye													
IPU10H	0.5	2702175	1.9	0 - 16	44	130	216	40	115	42	28	-	11
IPU10H	0.75	2702163	2.4	0 - 20	45	139	225	40	127	42	38	-	11
IPU10H	1	2702177	7.6	0 - 35	78	201	368	70	188	64	55	-	16
IPU10H	2	2702165	14.8	0 - 40	100	253	436	75	222	78	60	-	20
IPU10H	3	2702167	16.0	0 - 40	100	253	436	75	227	82	65	-	20
IPU10H	4.5	2702169	24.0	0 - 50	126	302	525	80	292	84	95	44	20
IPU10H	6	2702171	29.5	0 - 50	126	325	552	70	310	94	104	44	20

Design Factor based on EN 13155 and ASME B30.20. Model IPU10R (remote control opening and closing via a cable) on request. Model IPU10W (wedge) available on request.



IP10



For vertical lifting, turning and transfer

- Available in capacities of .5 through 30 metric tons (higher Working Load Limits are available upon request).
- Wide variety of jaw openings available: 0 to 155mm.
- Welded alloy steel body for strength and smaller size. Forged alloy components, where required.
- Individually Proof Tested to 2 times the Working Load Limit with certification.
- Company name (Crosby IP), logo, Working Load Limit and jaw opening permanently stamped on body.
- Each product is individually serialized, with the serial number and Proof Load test date stamped on body. User manual and test certificate included with each clamp.
- Available in a variety of styles:
 - IP10 - Standard clamp for materials with a surface hardness to 363HV10 (345 HB).
 - IP10J - Larger jaw opening.
 - IP10S - For use with stainless steel material.
 - IP10H - For use with materials with a surface hardness to 472HV10 (450 HB).
- Full 180° turning range for material transfer, turning or moving.
- Lock open, lock closed ability with latch for pretension on material and then release of material.
- For plate surface hardness till 279HV10, only 5% min. WLL is needed.
- Maintenance and repair kits are available.
- Minimum WLL is 5% of maximum WLL for .5t IP10 only.
- Minimum WLL is 10% of maximum WLL for all other IP10, IP10J, IP10S, IP10H clamps.

IP10H

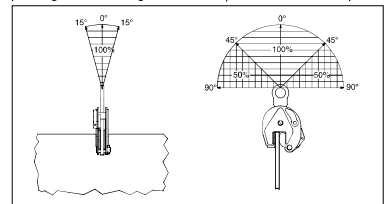
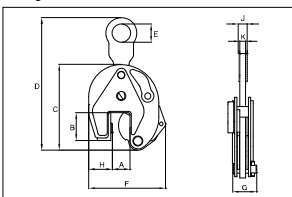


Model IP10 / IP10J / IP10S / IP10H



Model	Working Load Limit (t)*	Stock No.	Weight Each (kg)	Dimensions (mm)									
				Jaw A	B	C	D	E	F	G	H	J	K
IP10	0.5	2701674	1.8	0 - 16	44	130	203	40	115	42	28	-	11
IP10	1	2701662	2.2	0 - 20	45	139	212	40	127	42	38	-	11
IP10	2	2701676	7.6	0 - 35	78	201	330	70	188	64	55	-	16
IP10	3	2701664	13.8	0 - 40	100	253	434	75	222	78	60	-	20
IP10	4.5	2701666	15.0	0 - 40	100	253	434	75	227	82	65	-	20
IP10	6	2701668	23.5	0 - 50	126	302	517	80	292	84	95	40	20
IP10	9	2701670	27.5	0 - 50	126	325	445	80	310	94	104	44	25
IP10	12	2701678	49.0	0 - 54	160	392	574	80	433	121	137	41	25
IP10	16	2701682	68.0	5 - 64	180	463	686	88	492	121	153	49	25
IP10	22.5	2701686	108	5 - 80	222	554	803	110	565	153	186	54	30
IP10	30	2701690	124	5 - 80	222	554	803	110	565	153	186	54	30
With larger jaw opening													
IP10J	0.5	2701646	1.8	15 - 30	45	128	209	40	128	42	32	-	11
IP10J	1	2702462	2.5	20 - 40	55	151	207	40	141	42	41	-	11
IP10J	3	2702458	16.4	40 - 80	115	271	432	75	276	78	67	-	20
IP10J	4.5	2702460	18.0	40 - 80	115	271	432	75	281	82	72	-	20
IP10J	6	2701705	24.5	50 - 100	126	302	506	80	336	84	95	40	20
IP10J	9	2701672	28.5	50 - 100	126	325	542	80	360	94	105	44	25
IP10J	12	2701680	58.0	54 - 108	178	438	620	80	491	121	136	41	25
IP10J	16	2701684	80.0	64 - 128	208	521	734	88	562	121	160	45	25
IP10J	22.5	2701688	131.0	80 - 155	255	628	883	110	660	139	196	49	25
IP10J	30	2701692	147.0	80 - 155	255	628	887	110	660	153	196	54	30
For stainless steel - with fixed hoisting eye													
IP10S	0.5	2702274	1.8	0 - 20	44	130	203	40	115	42	28	11	11
IP10S	1	2702262	2.2	0 - 35	45	139	212	40	127	42	38	11	11
IP10S	2	2702276	7.6	0 - 40	78	201	330	70	188	64	55	16	16
IP10S	3	2702264	13.8	0 - 40	100	253	434	75	222	78	60	20	20
IP10S	4.5	2702266	15.0	0 - 50	100	253	434	75	227	82	65	20	20
IP10S	6	2702268	23.5	0 - 50	126	302	517	80	292	84	95	20	20
IP10S	9	2702270	27.5	0 - 54	126	325	544	80	310	94	104	25	25
IP10S	12	2702278	49.0	0-16	160	392	574	80	433	121	137	25	25
For very hard materials - with fixed hoisting eye													
IP10H	0.5	2702174	1.8	0-16	44	130	207	40	115	42	28	11	11
IP10H	0.75	2702162	2.2	0-20	45	139	219	40	130	42	38	11	11
IP10H	1	2702176	7.6	0-35	78	201	330	70	188	64	55	16	16
IP10H	2	2702164	13.8	0-40	100	253	434	75	222	78	60	20	20
IP10H	3	2702166	15.0	0-40	100	253	434	75	227	82	65	20	20
IP10H	4.5	2702168	23.5	0-50	126	302	517	80	292	84	95	20	20
IP10H	6	2702170	27.5	0-50	126	325	544	80	310	92	105	25	25

Design Factor based on EN 13155 and ASME B30.20. Model IP10 available in 40t, 55t and 100t on request. Model IP10R (remote control opening and closing via a cable) available on request.



IPNM10N



For use in almost all sectors of industry where, during the lift or transfer, no damage to the material is permitted.

- Available in capacities of .5 , 1 and 2 metric tons (higher Working Load Limits are available upon request).
- Wide variety of jaw openings available: 0 to 40mm.
- Welded alloy steel body for strength and smaller size. Forged alloy components, where required.
- Individually Proof Tested to 2 times the Working Load Limit with certification.
- Company name (Crosby IP), logo, Working Load Limit and jaw opening permanently stamped on body.
- Each product is individually serialized, with the serial number and Proof Load test date stamped on body. User manual with test certificate is included with each clamp.
- Full 180° turning range for material transfer, turning or moving.
- Lock open, lock closed ability with latch for pretension on material and then release of material.
- Material must be clean and dry.
- There is no minimum WLL required.
- Maintenance and repair kits are available.
- Temperature range -20° C to 70° C
- Optional with brake pad lining for temperature range -40° C to +200° C
- Special jaw openings or curved jaws upon request.

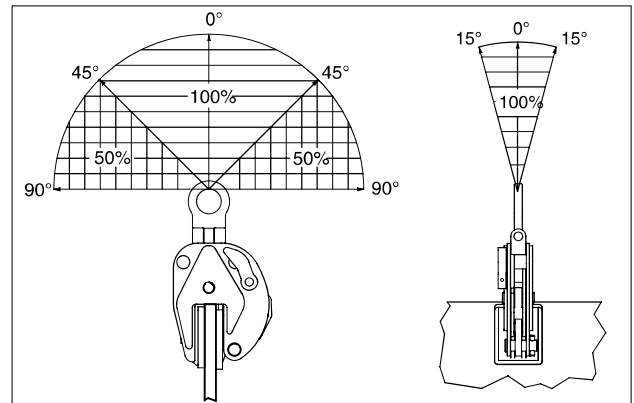
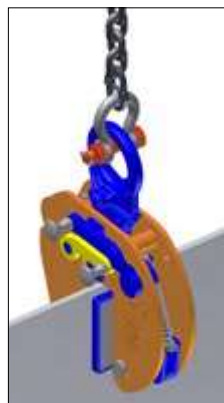
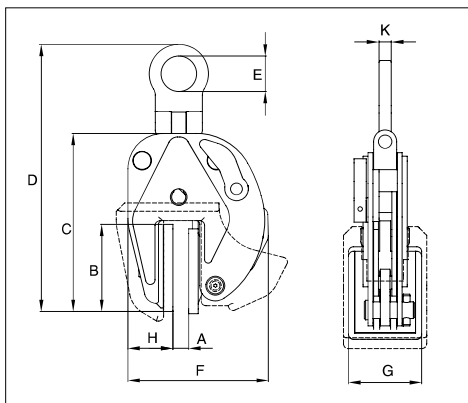
IPNM10P



Model IPNM10

Model	Working Load Limit (t)*	Stock No.	Weight Each (kg)	Dimensions (mm)								
				Jaw A	B	C	D	E	F	G	H	K
IPNM10N	0.5	2703811	2.7	0 - 10	84	159	235	40	128	60	42	11
IPNM10N	1	2703738	4.4	0 - 20	97	209	278	40	184	80	56	11
IPNM10	2	2703442	14.5	0 - 40	153	258	396	70	296	100	161	16
With protection cap												
IPNM10P	0.5	2703278	2.8	0 - 10	82	157	221	40	145	68	48	11
IPNM10P	1	2703279	4.5	0 - 20	97	195	276	40	205	82	66	11
With larger jaw opening												
IPNM10NJ	1	2703814	4.7	20 - 37	97	220	321	40	200	80	56	11
IPNM10NJ1	1	2703819	5.5	0 - 25	97	238	351	40	213	80	63	11

* Design Factor based on EN 13155 and ASME B30.20.

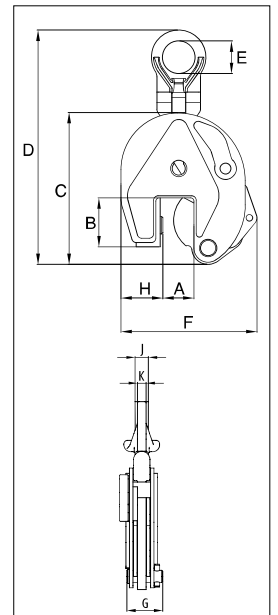


IPU10A



For vertical transport of plates

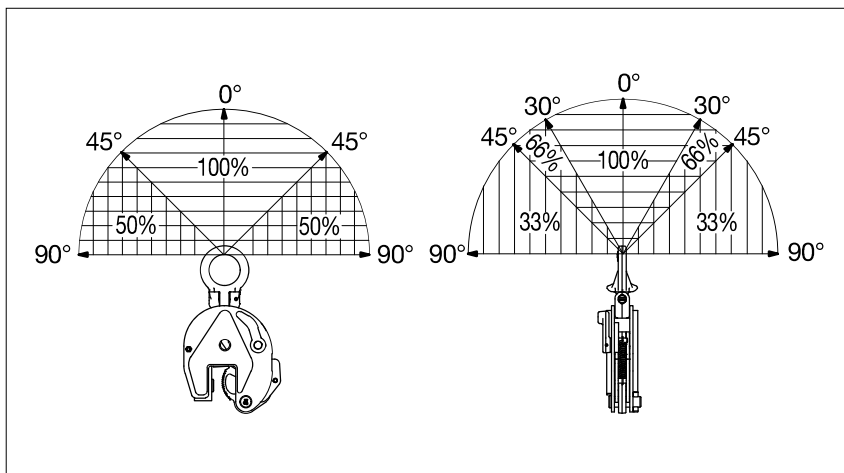
- Available in capacities of 1, 2 and 6 metric tons (higher Working Load Limits are available upon request).
- Jaw openings available: 0 to 50mm.
- Welded alloy steel body for strength and smaller size. Forged alloy components where required.
- Individually Proof Tested to 2 times the Working Load Limit with certification.
- Company name (Crosby IP), logo, Working Load Limit and jaw opening permanently stamped on body.
- Each product is individually serialized, with the serial number and Proof Load test date stamped on body. User manual with test certificate is included with each clamp.
- Full 180° turning range for material transfer, turning or moving.
- Lock open, lock closed ability with latch for pretension on material and then release of material.
- Minimum WLL of 10% of Maximum WLL.
- Maintenance and repair kits are available.
- For use with materials with a plate surface hardness to 279HV10, only 5% of minimum WLL is needed.



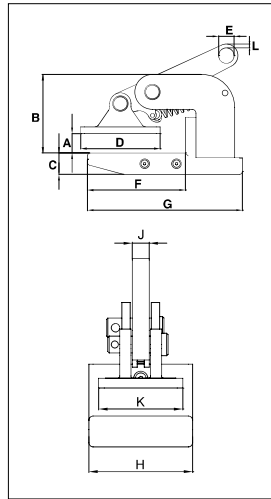
Model IPU10A

Model	Working Load Limit (t)*	Stock No.	Weight Each (kg)	Dimensions (mm)									
				Jaw A	B	C	D	E	F	G	H	J	K
IPU10A	1	2701628	2.3	0 - 20	45	139	225	40	127	42	38	-	11
IPU10A	2	2701629	8.4	0 - 35	78	201	368	70	188	64	55	-	16
IPU10A	6	2701638	25.4	0 - 50	126	302	525	80	292	84	95	44	20

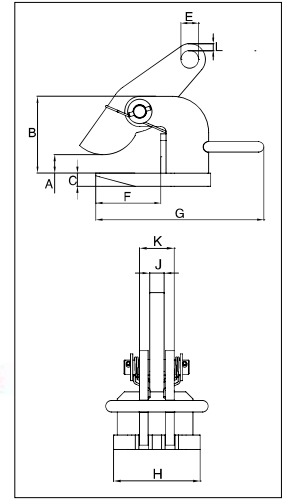
* Design Factor based on EN 13155 and ASME B30.20.



IPHNM10



IPH10



For Horizontal Lift and Transfer with Pretension System

- Available in capacities of .5 through 12 metric tons (higher Working Load Limits are available upon request).
- Jaw openings available: 0 to 120mm.
- Welded alloy steel body for strength and smaller size. Forged alloy components, where required.
- Individually Proof Tested to 2 times the Working Load Limit with certification.
- Company name (Crosby IP), logo, Working Load Limit and jaw opening permanently stamped on body.
- Each product is individually serialized, with the serial number and Proof Load test date stamped on body. User manual with test certificate is included with each clamp.
- Maintenance and repair kits are available.



Model IPHNM10

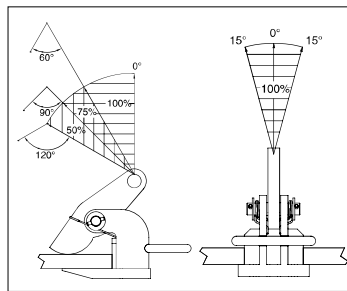
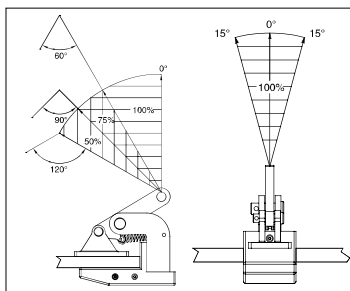
Model	Working Load Limit (Per Pair) (t)*	Stock No.	Weight Each (kg)	Dimensions (mm)											
				Jaw A	B	C	D	E	F	G	H	J	K	L	
IPHNM10	0.5	2703287	2.0	0 - 20	81	22	82	16	101	160	74	12	60	4	
IPHNM10	1	2703288	3.5	0 - 35	93	30	92	16	103	164	74	12	60	7	
IPHNM10	2	2703290	7.5	0 - 30	139	30	131	22	166	245	100	20	74	9	
IPHNM10J	2	2703291	8.0	30 - 60	169	30	131	22	166	245	100	20	74	9	

* Design Factor based on EN 13155 and ASME B30.20.

Model IPH10 / IPH10J: With Spring Loaded Tension, Magnets and Handle

Model	Working Load Limit (Per Pair) (t)*	Stock No.	Weight Each (kg)	Dimensions (mm)											
				Jaw A	B	C	E	F	G	H	J	K	L		
IPH10	0.5+	2703297	1.8	0 - 20	86	12	16	103	150	60	12	27	4		
IPH10	1+	2703298	2.5	0 - 35	100	16	16	103	150	60	12	31	7		
IPH10	2	2703522	5.5	0 - 60	117	16	22	109	256	110	20	40	9		
IPH10	3	2703523	7.5	0 - 60	117	20	26	109	266	120	20	48	11		
IPH10	4.5	2703524	10.5	0 - 60	132	25	30	104	280	130	20	48	12		
IPH10	6	2703525	13.0	0 - 60	143	25	36	123	320	130	20	48	14		
IPH10	9	2703526	18.5	0 - 60	157	30	43	133	330	140	25	62	16		
IPH10	12	2703527	21.5	0 - 60	172	30	47	141	353	150	25	62	17		
With larger jaw opening #															
IPH10J	3	2703533	9.0	60 - 120	177	20	26	109	266	120	20	48	9		
IPH10J	4.5	2703534	12.0	60 - 120	192	25	30	104	280	130	20	48	11		
IPH10J	6	2703535	15.0	60 - 120	203	25	36	123	320	130	20	48	12		
IPH10J	9	2703536	20.5	60 - 120	217	30	43	133	330	140	25	62	14		
IPH10J	12	2703537	24.0	60 - 120	232	30	47	141	353	150	25	62	16		

* Design Factor based on EN 13155 and ASME B30.20.+ No handle or magnets. # Larger Working Load Limits available.

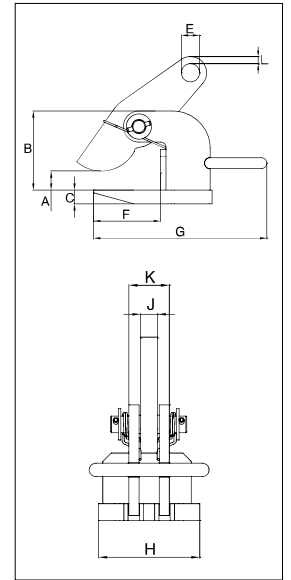


IPH10E



For horizontal lifting and transfer

- Available in capacities of 2.0 thru 25 metric tons.
- Wide variety of jaw openings available: 0 to 120mm.
- Welded alloy steel body for strength and smaller size. Forged alloy, components where required.
- Equipped with handle for easy placement.
- Individually Proof Tested to 2 times the Working Load Limit with certification.
- Company name (CrosbyIP), logo, Working Load Limit and jaw opening permanently stamped on body.
- Each product is individually serialized, with the serial number and Proof Load test date stamped on body. User manual with test certificate is included with each clamp.
- Maintenance and repair spare kits are available.



Model IPH10E



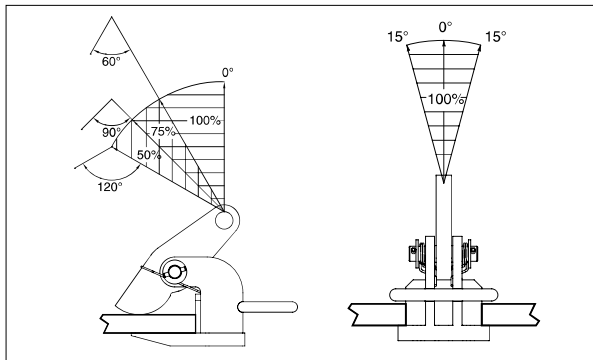
Model	Working Load Limit (Per Pair) (t)*	Stock No.	Weight Each (kg)	Dimensions (mm)									
				Jaw A	B	C	E	F	G	H	J	K	L
IPH10E	2	2703542	5.5	0 - 60	117	16	22	109	256	110	20	40	9
IPH10E	3	2703543	7.5	0 - 60	117	20	26	109	266	120	20	48	11
IPH10E	4.5	2703544	10.5	0 - 60	132	25	30	104	280	130	20	48	12
IPH10E	6	2703545	13	0 - 60	143	25	36	123	320	130	20	48	14
IPH10E	9	2703546	18.5	0 - 60	157	30	43	133	330	140	25	62	16
IPH10E	12	2703547	21.5	0 - 60	172	30	47	141	353	150	25	62	17

* Design Factor based on EN 13155 and ASME B30.20.

Model IPH10JE

Model	Working Load Limit (Per Pair) (t)*	Stock No.	Weight Each (kg)	Dimensions (mm)									
				Jaw A	B	C	E	F	G	H	J	K	L
IPH10JE	3	2703553	9.0	60 - 120	177	20	26	109	266	120	20	48	11
IPH10JE	4.5	2703554	12.0	60 - 120	192	25	30	104	280	130	20	48	12
IPH10JE	6	2703555	15.0	60 - 120	203	25	36	123	320	130	20	48	14
IPH10JE	9	2703556	20.5	60 - 120	217	30	43	133	330	140	25	62	16
IPH10JE	12	2703557	24.0	60 - 120	232	30	47	141	353	150	25	62	17

* Design Factor based on EN 13155 and ASME B30.20.

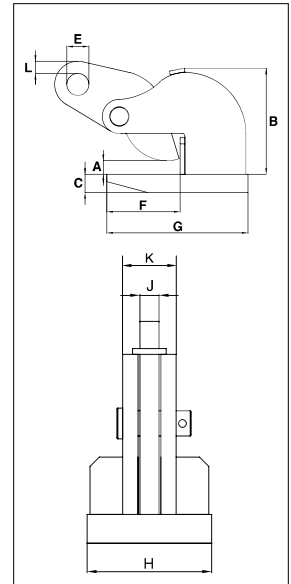


IPOHZ



For Horizontal Lifting and Transfer

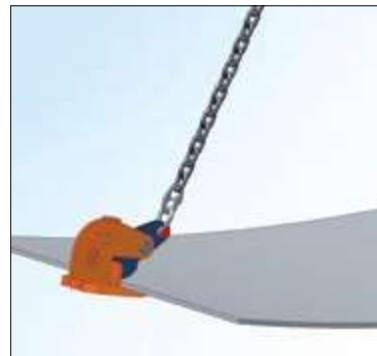
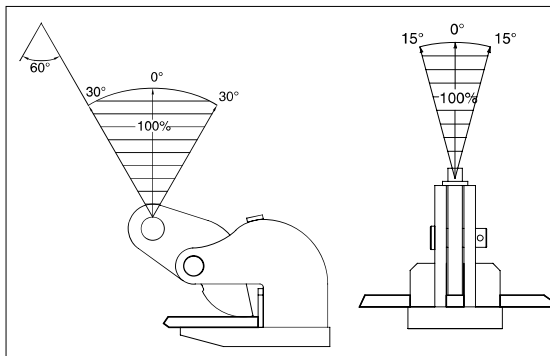
- Available in capacities of .75 through 15 metric tons (higher Working Load Limits are available upon request).
- Wide variety of jaw openings available: 0 to 60mm.
- Welded alloy steel body for strength and smaller size. Forged alloy, components where required.
- Equipped with handle for easy placement.
- Individually Proof Tested to 2 times the Working Load Limit with certification.
- Company name (Crosby IP), logo, Working Load Limit and jaw opening permanently stamped on body.
- Each product is individually serialized, with the serial number and Proof Load test date stamped on body. User manual with test certificate is included with each clamp.
- Maintenance and repair kits are available.



Model IPOHZ

Model	Working Load Limit (Per Pair) (t)*	Stock No.	Weight Each (kg)	Dimensions (mm)										
				Jaw A	B	C	E	F	G	H	J	K	L	
IPOHZ	0.75	2705401	3.0	0 - 30	94	16	16	70	118	81	12	31	12	
IPOHZ	1.5	2705402	5.5	0 - 45	133	16	22	125	192	100	16	36	12	
IPOHZ	3	2705403	8.0	0 - 45	137	20	26	125	200	120	20	48	10	
IPOHZ	4.5	2705404	9.5	0 - 45	138	25	30	126	220	120	20	50	10	
IPOHZ	6	2705405	15.5	0 - 60	171	30	36	135	235	130	20	56	20	
IPOHZ	9	2705406	25.0	0 - 60	211	30	43	166	276	160	25	62	20	
IPOHZ	12	2705407	29.0	0 - 60	217	40	47	168	294	190	25	62	19	
IPOHZ	15	2705408	36.5	0 - 60	220	40	47	183	317	250	25	62	22	

*Design Factor based on EN 13155 and ASME B30.20.



IPPE10B(E)



IPPE10BNM



For lifting and transporting non-bendable sheet metal in a horizontal position.

- Available in capacities of 3 through 12 metric tons (higher Working Load Limits are available upon request).
- Wide variety of jaw openings available: 0 to 180mm
- Welded alloy steel body for strength and smaller size. Forged alloy components, where required.
- Individually Proof Tested to 2 times the Working Load Limit with certification.
- Company name (Crosby IP), logo, Working Load Limit and jaw opening permanently stamped on body.
- Each product is individually serialized, with the serial number and Proof Load test date stamped on body. User manual with test certificate is included with each clamp.
- Maintenance and repair kits are available.
- IPPE10B: Magnets in foot plate (also applies for D and H Type).
- IPPE10BE: Economic version (also applies for D and H-Type).
- IPPE10BNM: Non-marring (also applies for D and H-Type).

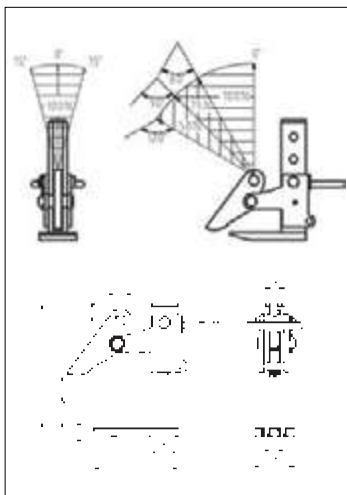


Model IPPE10B / IPPE10BE / IPPE10BNM

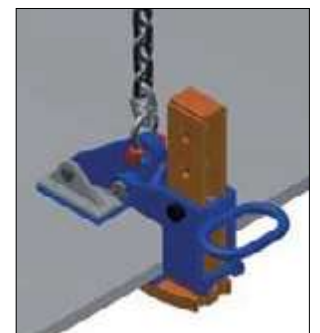
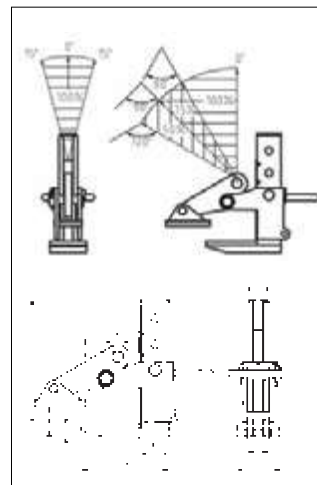
Model	Working Load Limit (Per Pair) (t)*	Stock No.	Weight Each (kg)	Dimensions (mm)									
				Jaw A	B	C	D	E	F	G	H	J	L
IPPE10B	3	2703862	11.5	0-180	204	322	20	26	66	20	100	50	15
IPPE10B	6	2703871	16.3	0-180	220	340	25	30	74	20	140	60	13
IPPE10B	9	2703888	24.8	0-180	248	365	25	34	90	20	190	70	13
IPPE10B	12	2703921	32.7	0-180	252	376	30	40	90	25	200	70	18
IPPE10BE	3	2703863	11.5	0-180	204	322	20	26	66	20	100	50	15
IPPE10BE	6	2703870	16.3	0-180	220	340	25	30	74	20	140	60	13
IPPE10BE	9	2703891	24.8	0-180	248	365	25	34	90	20	190	70	13
IPPE10BE	12	2703924	32.7	0-180	262	376	30	40	90	25	200	70	18
IPPE10BNM	3	2703864	12.4	0-180	204	322	30	26	68	20	100	50	15
IPPE10BNM	6	2703872	17.3	0-180	220	340	35	30	76	20	140	60	13
IPPE10BNM	9	2703894	27.7	0-180	248	365	35	34	92	20	190	70	13
IPPE10BNM	12	2703927	35.2	0-180	262	376	40	40	92	25	200	70	15

12

* Design Factor based on EN 13155 and ASME B30.20. Also available in D-Type (maximum jaw opening of 300mm) and H-Type (maximum jaw opening of 420mm).



IPPE10(E)



IPPE10NM

IPBC



For Horizontal Transfer - with Pretension System

- Available in capacities of 1 through 4.5 metric tons (Higher Working Load Limits are available upon request).
- Jaw openings available: 0 to 40mm.
- Welded alloy steel body for strength and smaller size. Forged alloy, components where required.
- Equipped with handle for easy placement.
- Individually Proof Tested to 2 times the Working Load Limit with certification.
- Company name (CrosbyIP), logo, Working Load Limit and jaw opening permanently stamped on body.
- Each product is individually serialized, with the serial number and Proof Load test date stamped on body. User manual with test certificate is included with each clamp.
- Maintenance and repair kits are available.

IPHGUZ

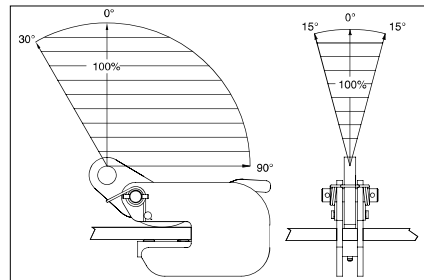
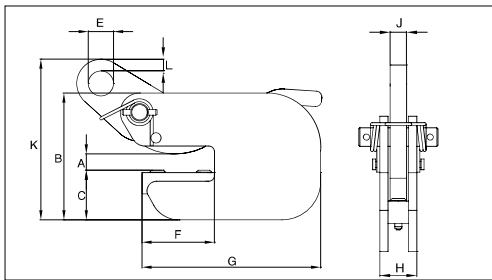


Load Rating

Model IPBC

Model	Working Load Limit (t)*	Stock No.	Weight Each (kg)	Dimensions (mm)									
				Jaw A	B	C	E	F	G	H	J	K	L
IPBC	1	2700410	3.5	0 - 20	132	52	26	75	185	36	16	182	12
IPBC	2	2700411	6.5	0 - 25	152	62	30	82	210	49	20	218	15
IPBC	3	2700412	8.5	0 - 25	157	66	30	82	210	57	20	225	15

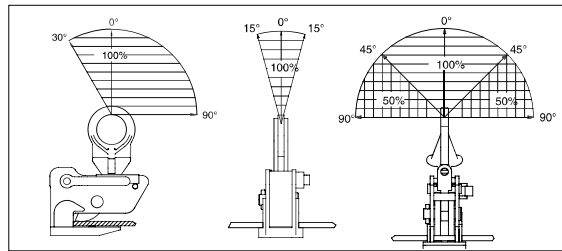
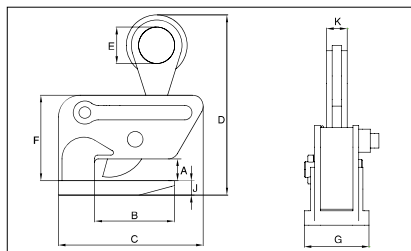
* Design Factor based on EN 13155 and ASME B30.20.



Model IPHGUZ: Universal Lifting Eye / Model IPHGZ: Fixed Hoisting Eye

Model	Working Load Limit (t)*	Stock No.	Weight Each (kg)	Dimensions (mm)									
				Jaw A	B	C	D	E	F	G	J	K	
IPHGUZ	1.5	2705455	9.0	0 - 25	110	232	287	70	139	90	20	16	
IPHGUZ	3	2705456	19.9	0 - 40	119	253	348	75	175	120	25	20	
IPHGUZ	4.5	2705457	30.0	0 - 40	119	301	370	80	175	155	30	44	
Fixed Hoisting Eye													
IPHGZ	0.75	2705451	4.0	0 - 25	82	148	206	50	99	98	12	22	
IPHGZ	1.5	2705452	7.3	0 - 25	110	200	250	50	118	90	20	28	
IPHGZ	3	2705453	12.3	0 - 40	120	227	305	70	148	120	25	32	
IPHGZ	4.5	2705454	25.0	0 - 40	120	284	381	70	181	155	30	40	

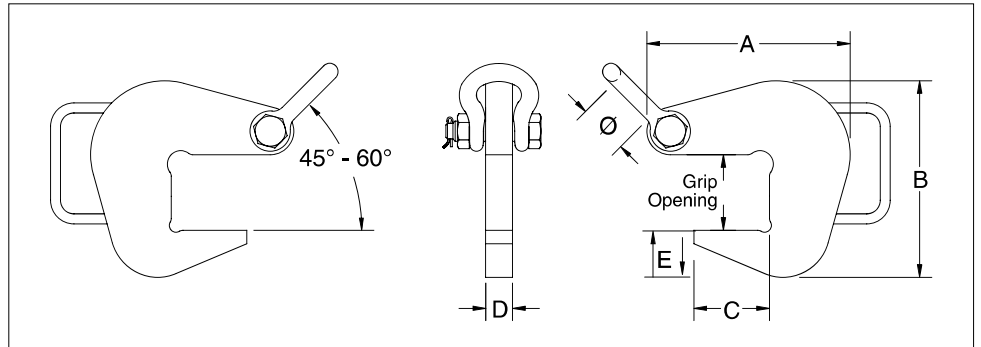
* Design Factor based on EN 13155 and ASME B30.20.



IPPH



- Crosby IP Pipe Hooks provide a fast and efficient method for lifting pipe, tube or any similarly shaped fabrications.
- Alloy steel plate construction.
- Equipped with a convenient handle.
- Equipped with a Bolt Type Shackle.
- Optional non marring inserts available.
- Used in pairs with 45° - 60° horizontal angle or 60° - 90° included angle.



Pipe Hook

Model	Working Load Limit Per Pair (t)**	Stock No.	Weight Each (kg)	Grip Opening (mm)	Dimensions (mm)						Shackle Size (mm)	Nylon (PA6) Inserts*
					A	B	C	D	E	Ø		
IPPH	2	2734500	2.70	52.3	148	129	52.3	25.4	31.8	42.9	5/8	2734900 2734909
IPPH	4	2734509	4.56	71.4	192	186	71.4	25.4	44.4	42.9	5/8	2734918
IPPH	6	2734518	8.05	103	259	256	103	25.4	57.2	50.8	3/4	2734927
IPPH	10	2734527	17.5	154	376	383	154	25.4	88.9	68.3	1.0	2734936

**Design factor based on EN13155 and ASME B30.20.

NOTE: To determine grip opening when equipped with an insert, add the insert thickness shown in the Pipe Hook Insert table below.

IPPHI



- Replaceable nylon (PA6) inserts for use with the IPPHI Pipe Hook that minimizes thread and pipe damage.

Pipe Hook Inserts

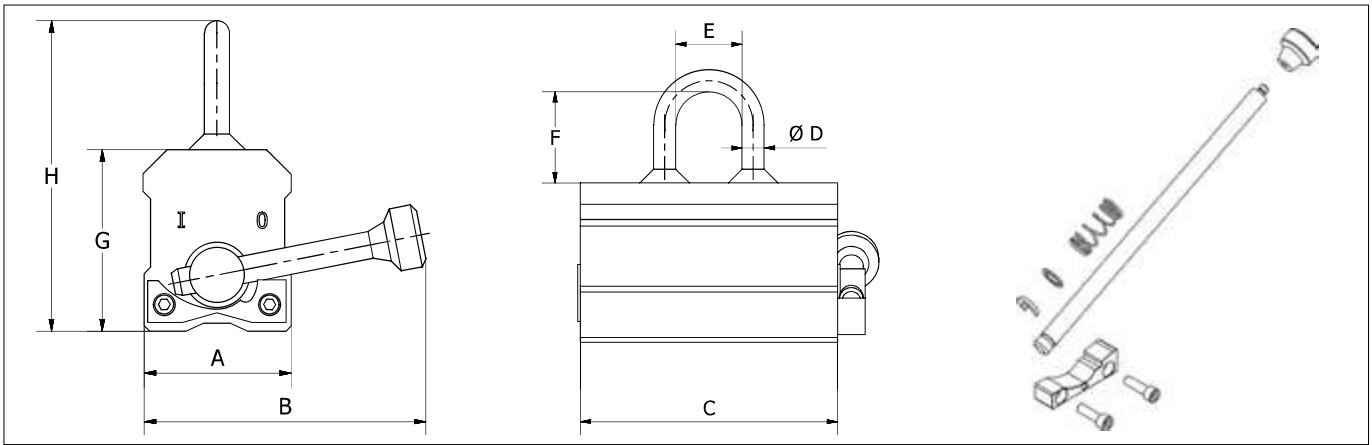
Model	Stock No.	ID of Pipe (mm)	Grip Opening (mm)
	2734900	76 - 305	41
	2734909	305 - 457	44
IPPHI	2734918	457 - 762	63
	2734927	762 - 1067	95
	2734936	1067 - 1329	145



MAGNEX™



- Solid steel construction with recessed area, reducing risk of damage to tags for identification and technical user information.
- Fully welded construction, minimizing maintenance costs.
- Innovative and patented easy switch stop block, equipped with ball bearing and ergonomic handle for increased safety and ease of use.
- Individually proof tested to 3 times the working load limit with certification.
- Each product is individually serialized, with the serial number and proof load test date stamped on body.
- User manual with test certificate included with each magnet
- 5-year warranty on magnetic system.
- CE certified including test certificate in accordance with EN 13155.
- Maintenance replacement kits are available.
- Can be used on both flat and round steel surfaces.



Crosby MAGNEX™ Lifting Magnet

Model	WLL (kg)*	Stock No.	Weight each (kg)	Dimensions (mm)							
				A	B	C	D	E	F	G	H
MAGNEX150	150	2708023	3.1	60	115	102	10	30	40	69	119
MAGNEX300	300	2708024	10.9	100	210	152	14	50	65	99	178
MAGNEX600	600	2708025	21.7	120	245	246	20	64	65	99	184
MAGNEX1000	1000	2708026	40.9	146	329	306	20	64	92	125	237
MAGNEX1500	1500	2708027	71.7	165	392	374	20	64	92	161	273
MAGNEX2000	2000	2708028	91.4	165	475	478	20	64	92	161	273

Model	Flat Material			Round Material		
	WLL (kg)*	min. thickness for max. WLL (mm)*	min. load thickness (mm)	WLL (kg)*	min. Ø (mm)	max. Ø (mm)
MAGNEX150	150	25	2	75	50	100
MAGNEX300	300	30	4	150	60	200
MAGNEX600	600	40	6	300	65	270
MAGNEX1000	1000	60	10	500	100	300
MAGNEX1500	1500	80	15	750	150	350
MAGNEX2000	2000	80	15	1000	150	350

*WLL based on low carbon, mild steel and a working temperature 20° C.

IPBK10



For the transfer and stacking of steel beams

- IPVUZ / IPVZ: Available in capacities of 0.75 through 1.5 metric tons.
- IPVUZ / IPVZ: Jaw openings available: 0 to 20mm
- IPBK10: Available in capacities of 0.5 through 4 metric tons.
- IPBK10: Jaw openings available: 5 to 28mm
- Welded alloy steel body for strength and smaller size. Forged alloy components, where required.
- Individually Proof Tested to 2 times the Working Load Limit with certification.
- Company name (Crosby IP), logo, Working Load Limit and jaw opening permanently stamped on body.
- Each product is individually serialized, with the serial number and Proof Load test date stamped on body. User manual with test certificate is included with each clamp.
- Minimum WLL of 10% of Maximum WLL.
- Maintenance and repair kits are available.
- For use with materials with a plate surface hardness to 279HV10, only 5% min WLL is needed.

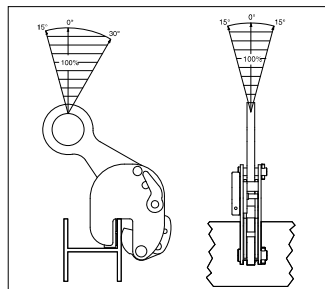
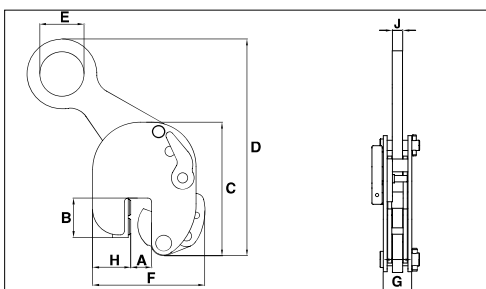
IPVZ



Model IPBK10

Model	Working Load Limit (t)*	Stock No.	Weight Each (kg)	Dimensions (mm)								
				Jaw A	B	C	D	E	F	G	H	J
IPBK10	0.5	2703931	2.4	5-15	43	134	216	45	120	48	45	10
IPBK10	1	2703837	2.6	5-15	43	152	230	45	123	47	45	10
IPBK10	2	2703838	7.3	5-25	62	223	341	70	198	61	70	16
IPBK10	4	2703839	16.9	5-28	75	282	431	100	232	78	72	20

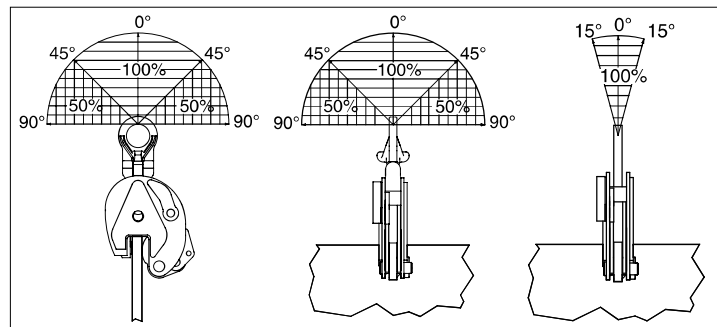
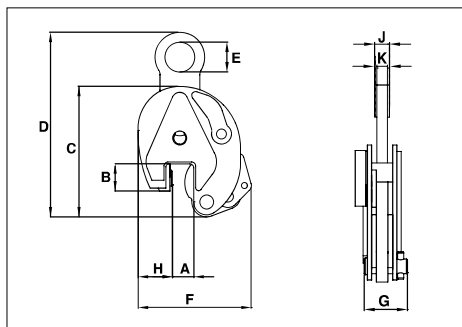
Design Factor based on EN 13155 and ASME B30.20.



Model IPVUZ: Universal Hoisting Eye / Model IPVZ: Fixed Hoisting Eye

Model	Working Load Limit (t)*	Stock No.	Weight Each (kg)	Dimensions (mm)								
				Jaw A	B	C	D	E	F	G	H	K
IPVUZ	0.75	2705146	2.3	0 - 15	26	130	216	40	115	42	30	11
IPVUZ	1.5	2705147	6.9	0 - 20	55	200	378	70	200	61	64	16
Fixed Hoisting Eye												
IPVZ	0.75	2705096	2.1	0 - 15	26	130	203	40	115	42	30	11
IPVZ	1.5	2705097	5.9	0 - 20	55	200	339	70	180	61	64	16

* Design Factor based on EN 13155 and ASME B30.20.



IPBHZ



For the lifting and transfer of steel beams

- IPBHZ: Available in capacities of .75 through 12 metric tons (higher Working Load Limits are available upon request).
- IPBHZ: Wide variety of jaw openings available: 0 to 40mm.
- IPBSNZ: Available in capacities of 1.5 through 4.5 metric tons (higher Working Load Limits are available upon request).
- IPBSNZ: Wide variety of jaw openings available: 0 to 50mm.
- Welded alloy steel body for strength and smaller size. Forged alloy components, where required.
- Individually Proof Tested to 2 times the Working Load Limit with certification.
- Company name (Crosby IP), logo, Working Load Limit and jaw opening permanently stamped on body.
- Each product is individually serialized, with the serial number and Proof Load test date stamped on body. User manual with test certificate is included with each clamp.
- Minimum WLL of 10% of Maximum WLL.
- Maintenance and repair kits are available.

IPBSNZ

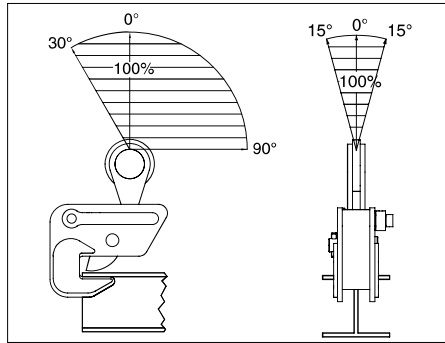
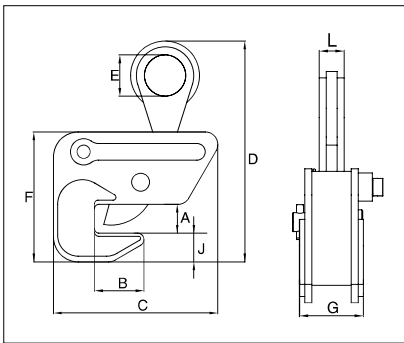


Model IPBHZ

Load Path

Model	Working Load Limit (t)*	Stock No.	Weight Each (kg)	Dimensions (mm)									
				Jaw A	B	C	D	E	F	G	J	L	
IPBHZ	0.75	2705461	3.0	0 - 25	40	148	220	50	130	69	33	22	
IPBHZ	1.5	2705462	6.0	0 - 25	60	203	255	50	158	73	35	28	
IPBHZ	3	2705463	10.5	0 - 40	80	227	325	70	188	112	38	32	
IPBHZ	4.5	2705464	25.0	0 - 40	112	284	413	70	251	116	80	40	
IPBHZ	12	2705467	42.3	0 - 40	125	466	490	90	317	90	90	47	

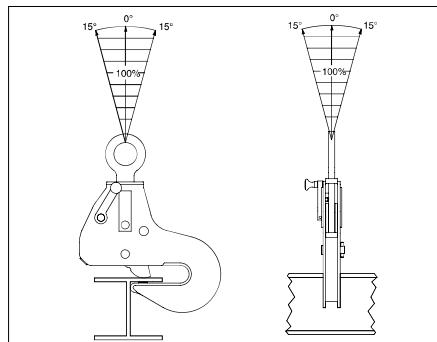
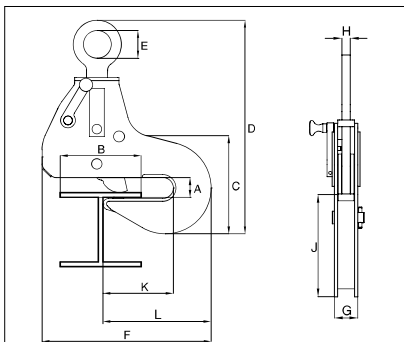
* Design Factor based on EN 13155 and ASME B30.20.



Model IPBSNZ

Model	Working Load Limit (t)*	Stock No.	Weight Each (kg)	Dimensions (mm)										
				Jaw A	B	C	D	E	F	G	H	J	K	L
IPBSNZ	1.5	2705925	14.0	0 - 32	100 - 270	304	480	70	319	47	16	165	148	240
IPBSNZ	3	2705926	22.0	0 - 40	100 - 330	352	494	75	408	56	20	207	182	260
IPBSNZ	4.5	2705927	30.5	0 - 50	100 - 360	420	630	75	457	56	20	250	188	293

* Design Factor based on EN 13155 and ASME B30.20.



IPTK



IPTKW

For transferring steel beams and attaching tackle eye

- Available in capacities of 2 through 25 metric tons (higher Working Load Limits are available upon request).
- Wide variety of jaw openings available: 75 to 1020mm.
- Welded alloy steel body for strength and smaller size. Forged alloy components, where required.
- Individually Proof Tested to 2 times the Working Load Limit with certification.
- Company name (Crosby IP), logo, Working Load Limit and jaw opening permanently stamped on body.
- Each product is individually serialized, with the serial number and Proof Load test date stamped on body. User manual with test certificate is included with each clamp.
- Maintenance and repair kits are available.

IPTKU



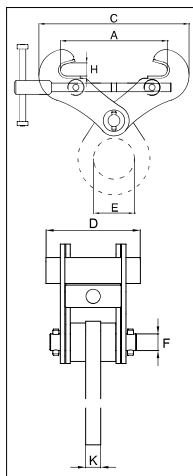
IPTKUM



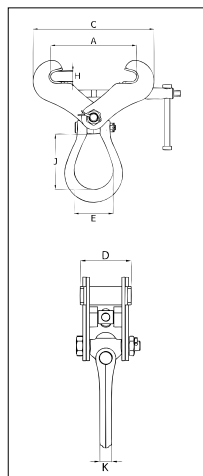
IPTK: with hoisting eye / **IPTKW:** without hoisting eye
IPTKU: with hinged hoisting eye / **IPTKUD:** with double locking device
IPTKUM: Suitable as anchor device for personnel fall arrest equipment

Model	Working Load Limit (t)*	Stock No.	Weight Each (kg)	Dimensions (mm)							
				Jaw A	C	D	E	F	H	J	K
IPTK	2	2700996	6.0	75 - 190	A + 80	125	75	-	25	-	20
IPTK	3	2700997	6.5	75 - 190	A + 80	125	75	-	25	-	20
IPTK	4	2700998	8.5	150 - 280	A + 100	125	75	-	35	-	20
IPTK	5	2700994	11.0	120 - 350	A + 195	125	75	-	40	-	20
IPTK	25	2702999	225	450 - 1020	A + 220	500	125	-	76	-	45
Without Hoisting Eye											
IPTKW	2	2700966	4.0	75 - 190	A + 80	125	-	28	25	-	-
IPTKW	3	2700967	4.5	75 - 190	A + 80	125	-	28	25	-	-
IPTKW	4	2700968	6.3	150 - 280	A + 100	125	-	33	35	-	-
IPTKW	5	2700969	8.8	120 - 350	A + 195	125	-	33	40	-	-
With Improved Hinged Hoisting Eye											
IPTKU	2	2707996	5.7	75 - 190	A + 100	121	76	-	22	99	19
IPTKU	3	2707997	6.4	75 - 190	A + 100	121	89	-	22	122	22
IPTKU	4	2707998	12.1	120 - 280	A + 150	140	89	-	40	122	22
IPTKU	5	2707994	14.5	120 - 350	A + 175	140	89	-	40	122	22
IPTKU	10	2707970	41.0	200 - 460	A + 300	200	105	-	60	152	26
Suitable as anchor device for personnel fall arrest equipment - standard according to EN 795											
IPTKUM	1 person	2709991	6	75 - 190	A + 100	165	76	-	22	99	19
With Optional Double Locking Device											
IPTKUD	2	2709996	6.0	75 - 190	A + 100	165	76	-	22	99	19
IPTKUD	3	2709993	6.6	75 - 190	A + 100	165	89	-	22	122	22
IPTKUD	4	2709995	12.3	120 - 280	A + 150	185	89	-	40	122	22
IPTKUD	5	2709994	15.3	120 - 350	A + 175	185	89	-	40	122	22
IPTKUD	10	2709970	43.0	200 - 460	A + 300	215	105	-	60	152	26

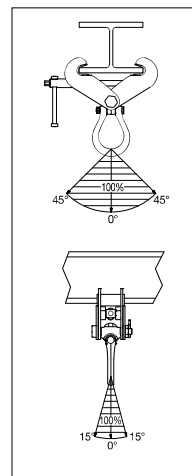
* Design Factor based on EN 13155 and ASME B30.20.



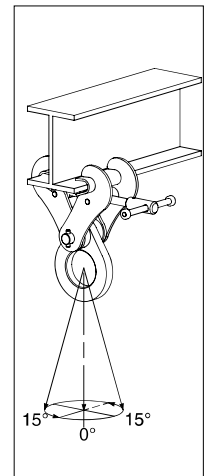
IPTK/IPTKW



IPTKU(D)(M)



IPTKU(D)

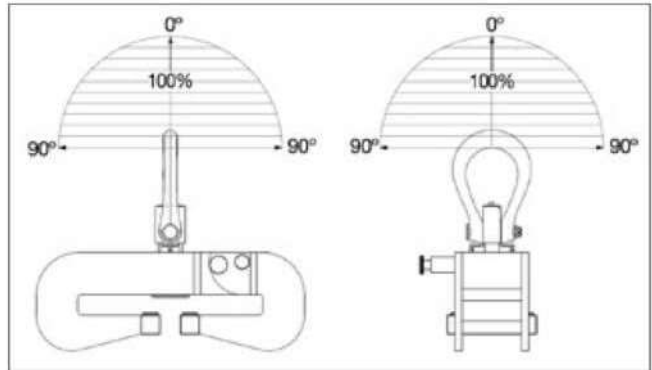
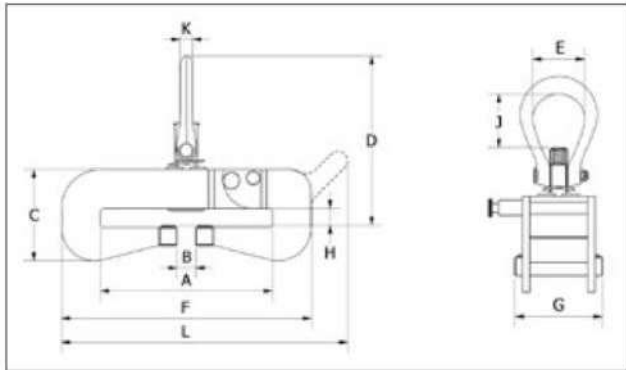


IPTK(W)

IPTKA



- Maintains full WLL at angles up to 90°.
- Bail swivels 360° and pivots 180°.
- Easy to close and open with a hinged body with self-locking device.
- Easy to handle with handgrips.
- No interference or space limitations when tightening the clamp.
- Multi-purpose hoisting eye to be used for tightening as well as for hoisting.
- Light weight design.
- All parts are replaceable.
- Maintenance and repair kits are available.
- Can be used for a wide range of profile sizes.



IPTKA Universal Beam Clamp

Load Rated

Model	WLL (t)	Stock No.	Weight (kg)	Dimensions (mm)										
				A	B	C	D	E	F	G	H	J	K	L
IPTKA	3	2707111	15.9	100 - 205	34	149	307	89	310	130	6 - 26	94	22	369
IPTKAJ1	3	2707116	14.2	70 - 125	24	134	297	89	257	130	6 - 26	94	22	315
IPTKAJ2	3	2707117	16.0	100 - 205	54	164	322	89	310	130	20 - 40	94	22	369
IPTKA	5	2707065	23.3	100 - 305	34	164	306	89	450	150	6 - 26	94	22	-
IPTKAJ1	5	2707114	16.9	70 - 125	24	139	296	89	297	150	6 - 26	94	22	336
IPTKAJ2	5	2707115	23.2	100 - 305	74	179	321	89	450	150	20 - 40	94	22	-
IPTKA	10	2707118	62	140 - 405	74	234	450	121	600	220	12 - 42	152	30	-
IPTKA	15	2707124	71	140 - 405	74	244	450	121	630	220	12 - 42	152	30	-



IPBCF / IPBCNS



For the lifting and transfer of wide flange beam sections and plate girders

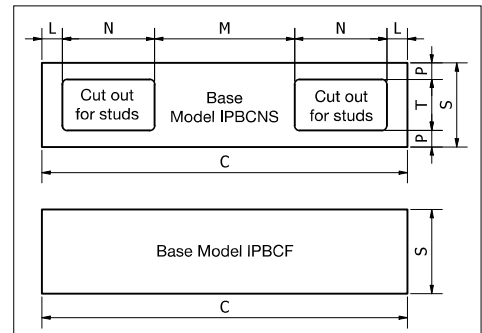
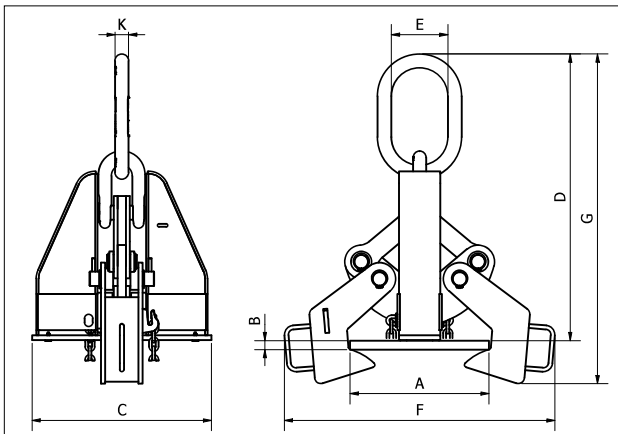
- When lifting, these beam clamps grip the beam at three points, and when properly balanced and safely guided, the beam can be handled even if the clamp is slightly off center lengthwise.
- Capacities: 4.5 through 32 metric tons. (higher Working Load Limits are available upon request).
- Eliminates the need for slings, chokers, and spreader bars.
- When applied to load, the tongs automatically open and slide under the flange of the beam.
- Center plate and gripping tongs work together - the heavier the beam, the greater the clamping pressure.
- Model IPBCNS clamps have a recessed base to accept studs welded to the beam surface.
- Welded alloy steel body for strength and smaller size. Forged alloy components, where required.
- Individually Proof Tested to 2 times the Working Load Limit with certification.
- Company name (Crosby IP), logo, Working Load Limit and jaw opening permanently stamped on body.
- Each product is individually serialized, with the serial number and Proof Load test date stamped on body. User manual with test certificate is included with each clamp.
- Maintenance and repair kits are available.

Beam Clamps

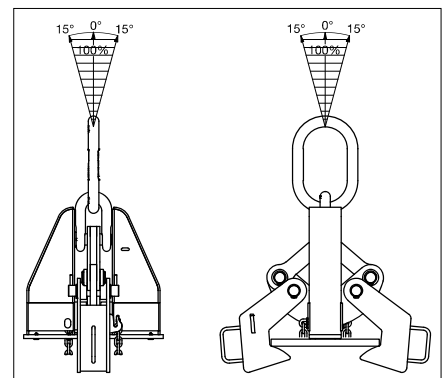
Model No.	WLL (t)*	Stock No.	Weight Each (kg)	Flange Grip Range (mm)		Dimensions (mm)					
				Width (A)	Thickness (B)	C	D	E	F	G	K
IPBCF	4.5	2702000	29.4	102 - 254	13 - 25	348	536 - 452	95	338 - 475	602 - 531	21
IPBCNS	13.5	2702018	62.0	178 - 432	13 - 51	444	775 - 592	140	505 - 749	894 - 719	34
IPBCNS	22.5	2702036	132	406 - 610	25 - 76	596	1012 - 812	152	775 - 969	1140 - 982	44
IPBCNS	32	2702054	240	406 - 914	41 - 102	730	1189 - 1023	178	792 - 1348	1458 - 1258	51

Design factor based on EN 13155 and ASME B30.20.

NOTE: Control the beam at all times. Beams should be gripped as near the center as possible. Snubbing lines at each end must be used to control excessive twisting or swinging, and to guide the beam to its proper place. Each lifting situation may have a specific demand which should be addressed before lifting.



Base Stock No.	Base Dimensions (mm)						
	C	L	M	N	P	S	T
IPBCF	348	-	-	-	-	76	-
IPBCNS	444	25	170	112	20	102	62
IPBCNS	596	33	190	170	30	152	92
IPBCNS	730	49	226	203	30	152	92

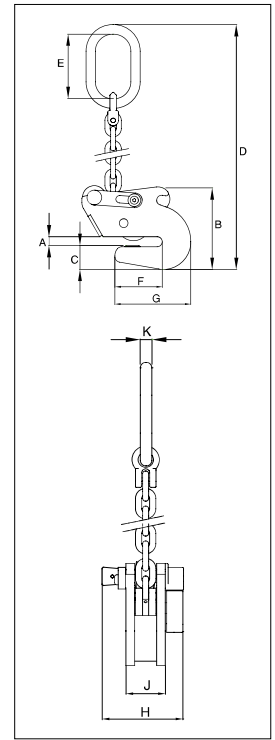


IPSTARTEC11



For Lifting, Transferring and Controlled Tilting of Steel Beams

- Available in capacities of 1.5 and 2.5 metric tons (higher Working Load Limits are available upon request).
- Jaw openings available: 6 to 20mm.
- Welded alloy steel body for strength and smaller size. Forged alloy, components where required.
- Equipped with handle for easy placement.
- Individually Proof Tested to 2 times the Working Load Limit with certification.
- Company name (Crosby IP), logo, Working Load Limit and jaw opening permanently stamped on body.
- Each product is individually serialized, with the serial number and Proof Load test date stamped on body. User manual with test certificate is included with each clamp.
- Maintenance replacement parts are available.

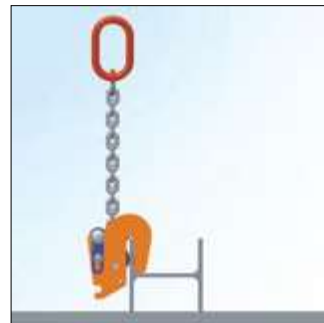
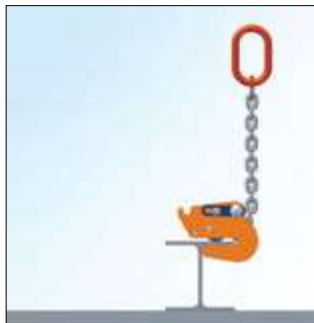
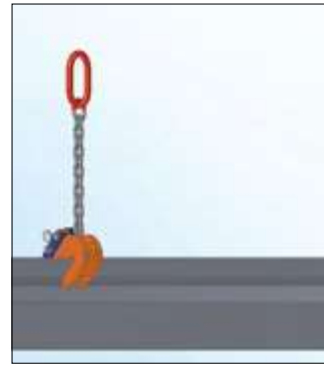
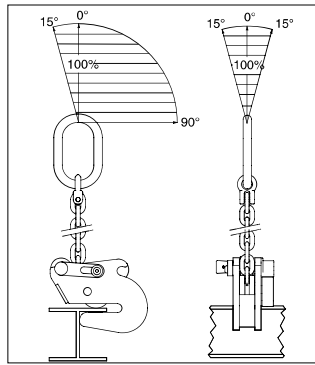


Load Rating

Model IPSTARTEC11

Model	Working Load Limit (t)*	Stock No.	Weight Each (kg)	Dimensions (mm)										
				Jaw A	B	C	D	E	F	G	H	J	K	
IPSTARTEC11	1.5	2701812	6.6	6 - 12	140	39	575	110	81	129	126	54	16	
IPSTARTEC11	2.5	2701822	14.5	6 - 20	210	55	725	135	115	182	140	74	18	

* Design Factor based on EN 13155 and ASME B30.20.



IPSC10

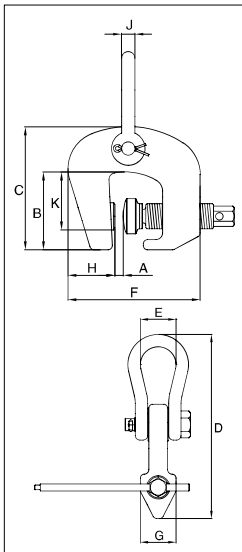


Suitable for use in positioning & turning steel plates and sections. Not to be used as a lifting clamp.

- Available in capacities of 1.5 and 3 metric tons (higher Working Load Limits are available upon request).
- Jaw openings available: 0 to 60mm.
- Suitable for steel with a surface hardness up to 300 HV10.
- Forged alloy steel body for strength and smaller size. Forged alloy components, where required.
- Individually Proof Tested to 2 times the Working Load Limit with certification.
- Company name (Crosby IP), logo, Working Load Limit and jaw opening permanently stamped on body.
- Each product is individually serialized, with the serial number and Proof Load test date stamped on body. User manual with test certificate is included with each clamp.
- Maintenance and repair kits are available.

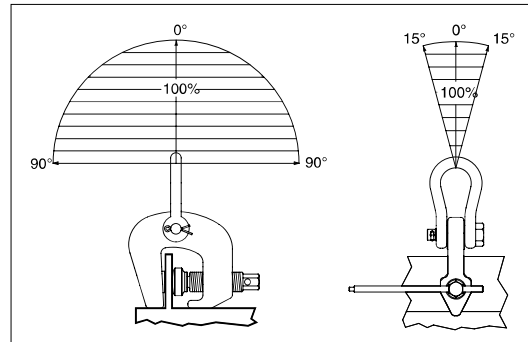
Model IPSC10

Load Rated



Model	Working Load Limit (t)*	Stock No.	Weight Each (kg)	Dimensions (mm)									
				Jaw A	B	C	D	E	F	G	H	J	K
IPSC10	1.5	2703857	4.6	0 - 40	91	143	251	44	156	50	45	16	65
IPSC10	3	2703858	8.4	0 - 60	109	175	310	51	200	62	55	19	83

* Design Factor based on EN 13155 and ASME B30.20.

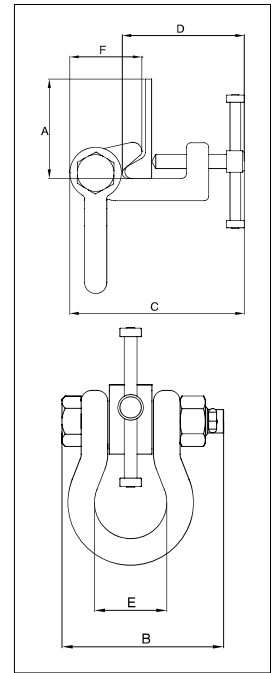


IPBTO10



For use as a temporary tackle eye in spaces that have been reinforced with HP (bulb) profiles such as engine rooms and shipsections.

- Available in capacities of 1.5 through 6 metric tons (higher Working Load Limits are available upon request).
- Wide variety of jaw openings available: HP 160mm to HP 430mm
- Alloy steel body for strength and smaller size. Forged alloy components, where required.
- Individually Proof Tested to 2 times the Working Load Limit with certification.
- Company name (Crosby IP), logo, Working Load Limit and jaw opening permanently stamped on body.
- Each product is individually serialized, with the serial number and Proof Load test date stamped on body. User manual with test certificate is included with each clamp.
- Maintenance and repair kits are available.

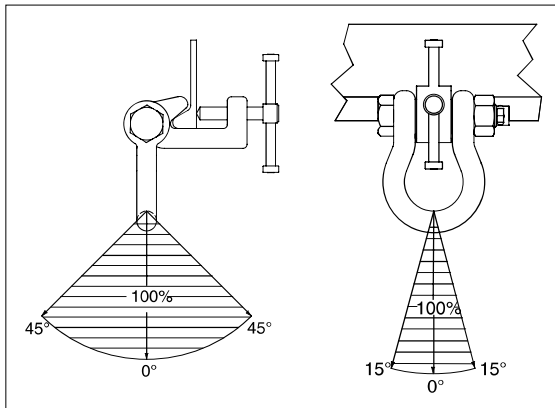


Model IPBTO10

Load Tested

Model	Working Load Limit (t)*	Stock No.	Weight Each (kg)	Dimensions (mm)					
				Profile A †	B	C	D	E	F
IPBTO10	1,5	2700980	4,3	HP 160-240	137	188-209	129-150	68	81
IPBTO10	3	2700986	6,0	HP 240-320	137	188-217	145-174	68	78
IPBTO10	6	2700991	13,0	HP 300-430	185	255-297	195-236	82	102

* Design Factor based on EN 13155 and ASME B30.20. † Profile A is the type of Holland Bulb (HP) style and size material.

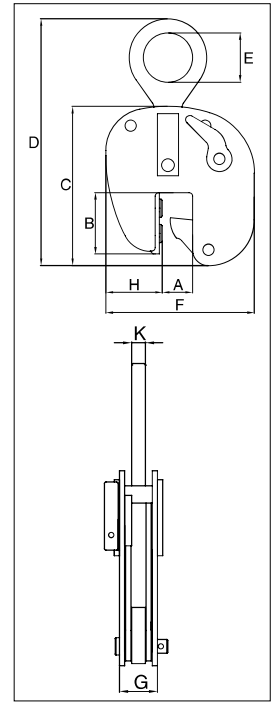


IPBUZ



For Lifting, Transferring and Placing Bulb Profiles onto Ship's Hulls Perpendicularly

- Available in capacities of .75 through 3.75 metric tons (higher Working Load Limits are available upon request).
- Jaw openings available: HP 120mm to HP 430mm.
- Welded alloy steel body for strength and smaller size. Forged alloy components, where required.
- Individually Proof Tested to 2 times the Working Load Limit with certification.
- Company name (Crosby IP), logo, Working Load Limit and jaw opening permanently stamped on body.
- Each product is individually serialized, with the serial number and Proof Load test date stamped on body. User manual with test certificate is included with each clamp.
- Maintenance and repair kits are available.



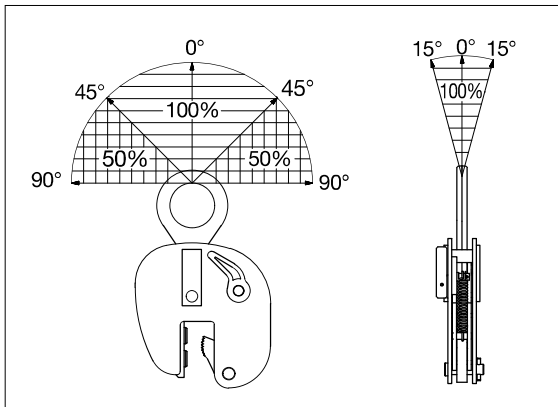
Model IPBUUZ: with Universal Hoisting Eye
Model IPBUZ: with Fixed Hoisting Eye

Load Table

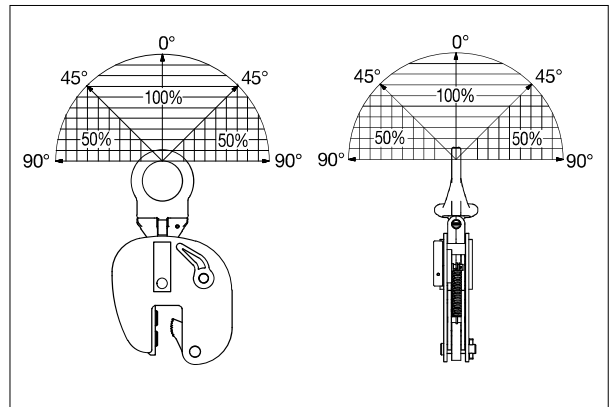
Model	Working Load Limit (t)*	Stock No.	Weight Each (kg)	Dimensions (mm)								
				Profile A †	B	C	D	E	F	G	H	K
IPBUUZ	0.75	2705601	8.5	HP 120-200	85	226	390	70	210	61	70	16
With fixed hoisting eye												
IPBUZ	0.75	2705600	7.0	HP 120-200	85	226	390	70	210	61	70	16
IPBUZ	1.5	2705701	15.0	HP 220-430	196	397	568	70	256	69	48	16
IPBUZ	3.75	2705702	29.2	HP 220-430	238	438	565	80	355	64	100	20

* Design Factor based on EN 13155 and ASME B30.20. † Profile A is the type of Holland Bulb (HP) style and size material.

IPBUZ



IPBUUZ



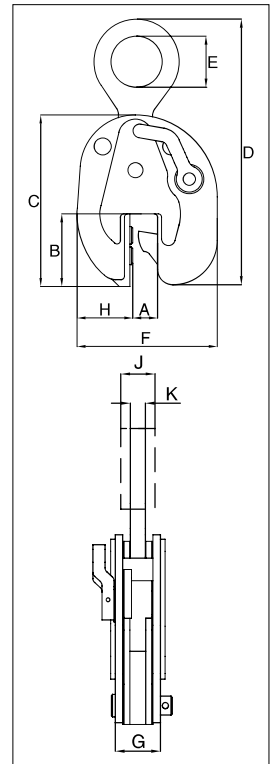
12

IPSBUUZ



For Lifting, Transferring and Placing Complete Shipsections

- Available in capacities of 4.5 through 22.50 metric tons (higher Working Load Limits are available upon request).
- Wide variety of jaw openings available: HP 100mm to HP 430mm.
- Welded alloy steel body for strength and smaller size. Forged alloy components, where required.
- Individually Proof Tested to 2 times the Working Load Limit with certification.
- Company name (Crosby IP), logo, Working Load Limit and jaw opening permanently stamped on body.
- Each product is individually serialized, with the serial number and Proof Load test date stamped on body. User manual with test certificate is included with each clamp.
- Maintenance and repair kits are available.



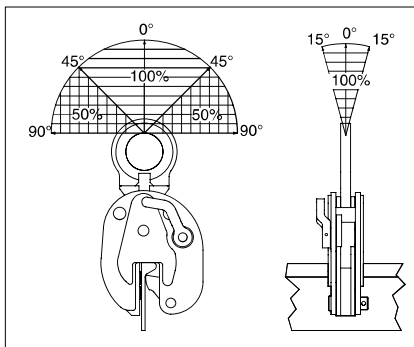
Model IPSBUUZ / IPSBUSUZ: With Universal Hoisting Eye
Model IPSBUZ / IPSBUSZ: With Fixed Hoisting Eye

Load Rating

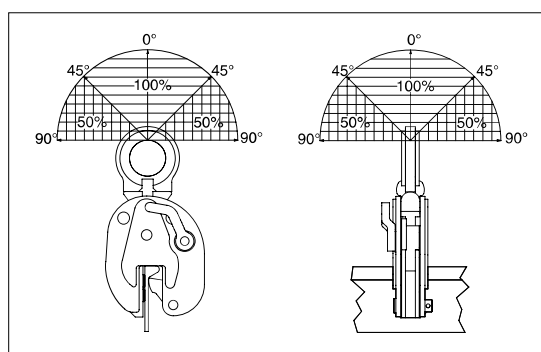
Model	Working Load Limit (t)*	Stock No.	Weight Each (kg)	Dimensions (mm)									
				Profile A†	B	C	D	E	F	G	H	J	K
IPSBUUZ	4.5	2705771	15.5	HP 100-160	107	252	450	75	206	96	82	36	20
IPSBUUZ	9	2705773	43.0	HP 100-160	105	274	491	80	248	123	104	44	20
IPSBUSUZ	4.5	2705772	38.0	HP 180-430	227	428	635	75	377	95	128	-	20
IPSBUSUZ	9	2705774	69.0	HP 180-430	227	478	718	80	425	118	155	44	25

Design Factor based on EN 13155 and ASME B30.20. † Profile A is the type of Holland Bulb (HP) style and size material.

IPSBUZ



IPSBUUZ

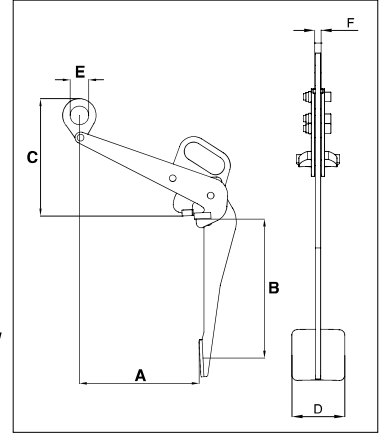


IPDV



Designed to lift, move and transfer 50-55 gallon drums with steel tops

- Available in capacity of .5 metric tons (higher Working Load Limits are available upon request).
- Jaw openings available: IPDV - 300mm and IPVK - 17mm.
- Welded alloy steel body for strength and smaller size. Forged alloy components, where required.
- Individually Proof Tested to 2 times the Working Load Limit with certification.
- Company name (Crosby IP), logo, Working Load Limit and jaw opening permanently stamped on body.
- Each product is individually serialized, with the serial number and Proof Load test date stamped on body. User manual with test certificate is included with each clamp.
- Maintenance and repair kits are available.

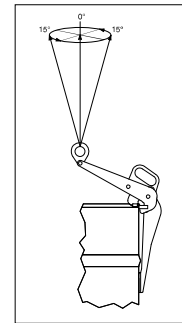


Model IPDV

Load Rating

Model	Working Load Limit (t)*	Stock No.	Weight Each (kg)	Dimensions (mm)					
				Jaw A	B	C	D	E	F
IPDV	0,5	2700118	7,1	300	375	290	100	50	12

*Design Factor based on EN 13155 and ASME B30.20.



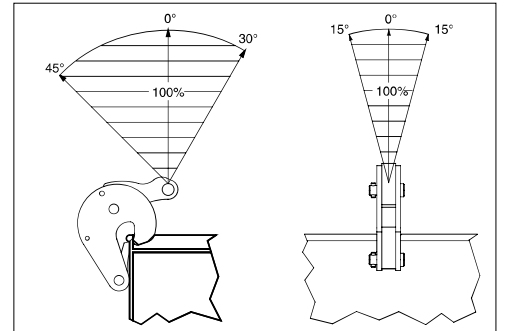
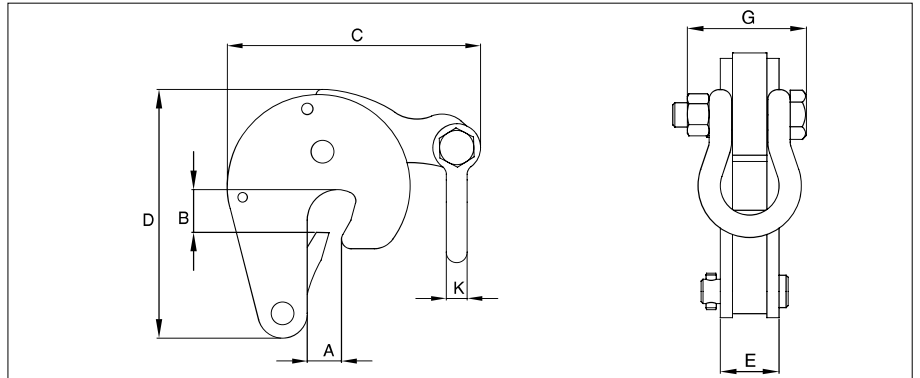
IPVK



Model IPVK

Model	Working Load Limit (t)*	Stock No.	Weight Each (kg)	Dimensions (mm)						
				Jaw A	B	C	D	E	G	K
IPVK	0,5	2700116	1,6	0 - 17	26	135	132	29	51	11

* Design Factor based on EN 13155 and ASME B30.20.

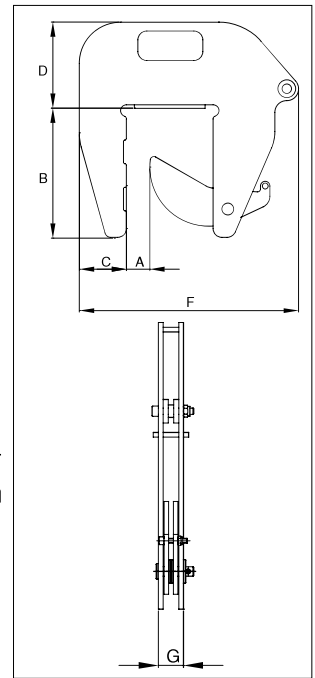


IPCC



For Lifting and Transferring Concrete Pipe Sections and Wells

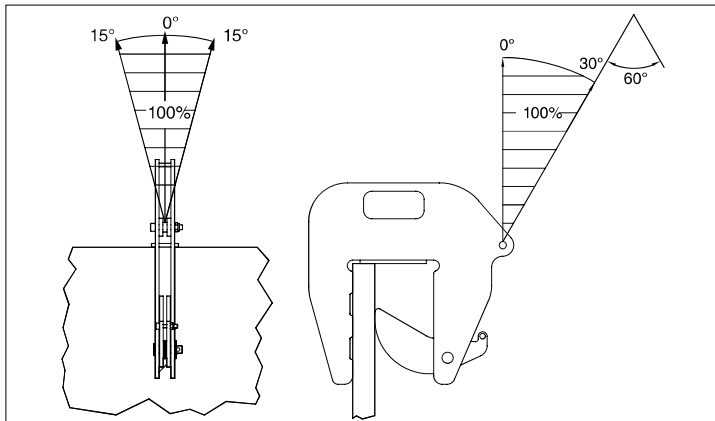
- Available in capacity of 1 metric tons (higher Working Load Limits are available upon request).
- Jaw opening available: 40 - 140mm.
- Welded alloy steel body for strength and smaller size. Forged alloy, components where required.
- Equipped with handle for easy placement.
- Individually Proof Tested to 2 times the Working Load Limit with certification.
- Company name (Crosby IP), logo, Working Load Limit and jaw opening permanently stamped on body.
- Each product is individually serialized, with the serial number and Proof Load test date stamped on body. User manual with test certificate is included with each clamp.
- Maintenance replacement parts are available.



Model IPCC

Model	Working Load Limit Per Pair (t)*	Stock No.	Weight Each (kg)	Dimensions (mm)					
				Jaw A	B	C	D	F	G
IPCC	1	2700037	9.2	40-140	225	80	146	372	37

* Design Factor based on EN 13155 and ASME B30.20.

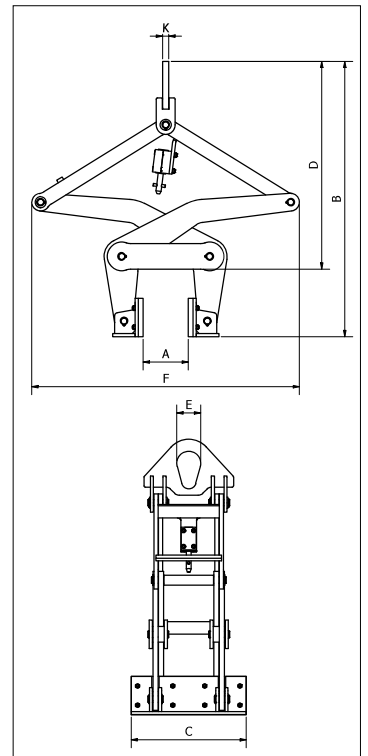


IPBG



The CrosbyIP Barrier Grab provides a fast and efficient method for handling road barriers.

- Hands-free operation.
- Welded alloy steel construction for strength and smaller size.
- Comes equipped with polyurethane pads. (Replacement kits are available.)
- Individually Proof Tested to 2 times the Working Load Limit with certification.
- Company name (Crosby IP), logo, Working Load Limit and jaw opening permanently stamped on body.
- Each product is individually serialized, with the serial number and Proof Load test date stamped on body. User manual with test certificate is included with each clamp.



Barrier Grab

Model	WLL (t)*	Stock No.	Weight Each (kg)	Dimensions (mm)						
				Jaw A	B	C	D	E	F	K
IPBG	4	2704018	156	152 (min.)	1149	457	882	95	1038	25
				305 (max.)	861	457	598	95	1128	25

* Design factor based on EN13155 and ASME B30.20.





The IPU10 vertical lifting clamp is used for lifting, turning, moving or vertical transfer of sheet, plates, or fabrications from horizontal to vertical and down to horizontal (180°) as needed. The hinged hoisting eye allows for the clamp to place and lift the load from any direction, or with a multiple leg sling without side-loading the clamp.



The IPNM10N vertical lifting clamp is used for lifting, turning, moving or vertical transfer of sheet, plates, or fabrications from horizontal to vertical and down to horizontal (180°) as needed without marring the surface of the material. Materials such as aluminum, stainless steel, painted materials, aircraft skins, composite material, glass, plastic, etc., can be lifted without marring. Will not mar, or scratch the material surface.



The IPNM10P vertical lifting clamp is used for lifting, turning, moving or vertical transfer of sheet, plates, or fabrications from horizontal to vertical and down to horizontal (180°) as needed without marring the surface of the material. Materials such as aluminum, stainless steel, painted materials, aircraft skins, composite material, glass, plastic, etc., can be lifted without marring. The protective cover reduces the risk of damage to surrounding plates. Will not mar, or scratch the material surface.



The IPU10A automatically clicks onto the material as soon as the clamp is placed on the plate. The fact that the safety lock remains in position as the clamp closes precludes hazardous situations. Fastening the IPU10A clamp in places that are difficult to reach is no problem.



The IPHNM10 horizontal lifting clamps have a pretension feature that allows the user to attach the clamps to the material for horizontal lifting and transfer of non-sagging material. To be used where material surface must not be damaged. These clamps must be used in pairs or more.



The IPH10 horizontal lifting clamps with spring loaded tension have a pretension feature that allows the user to attach the clamps to the material for horizontal lifting and transfer of non-sagging material. These clamps must be used in pairs or more.



The IPH10E / IPH10JE horizontal lifting clamps are for use in the lifting and transfer in horizontal position of non-sagging materials or of bundles of non-sagging material. These clamps must be used in pairs or more.



The IPH0Z horizontal lifting clamp is to be used for lifting and transferring, in the horizontal position, of thin sheet and other materials that will sag or bend when lifted. These clamps must be used in pairs or more.



The IPPE10 type clamp is suitable for lifting and transferring bundles of non-bendable sheets of metal in a horizontal position. The jaw opening can be easily adjusted for the height of the bundle or plate. The IPPE10 has magnets in the footplate. This allows one person to operate multiple clamps at the same time when lifting loads. These clamps must be used in pairs or more.



The IPPE10BNM lifting clamps may be used for virtually all applications, where the objects that are to be lifted or transported require optimal protection against surface damage. This also applies to materials with a very smooth surface, composites, plates with a protective cover or hard surface plates. These clamps have to be used in pairs.



The IPBC horizontal lifting clamps have a pretension feature that allows the user to attach the clamps to the material for horizontal lifting and transfer of sagging and non-sagging material. These clamps may also be used to handle material that will be used in shears, bending and rolling machines or other fabrication equipment. May also be used for turning beams from the "H" into the "I" position.



The IPHGZ, IPHGUZ horizontal lifting clamps have a pretension locking feature that allows the user to attach the clamps to the material for horizontal lifting and transfer of sagging and non-sagging material. These clamps may also be used to handle material that will be used in shears, bending and rolling machines or other fabrication equipment. May also be used to move and lift structural shapes such as I-Beams, H-beams etc.



The IPBK10 beam clamp is used for lifting, transferring and stacking H-Beams. A ring-center hoist eye allows for the beam flange to remain vertical. This series of clamps can be used in vertical and horizontal moving, transferring and stacking of different types of structural designs, such as H-Beams, angles, etc, depending on the application desired.



The IPVZ / IPVUZ beam clamp is used for vertical lift and transfer of angle iron and other loads that have only a small gripping area for the clamp ("U" has universal hoisting eye). This series of clamps can be used in vertical and horizontal moving, transferring and stacking of different types of structural designs, such as H-beams, angles, etc, depending on the application desired.



The IPBHZ beam clamp is used for lifting, transferring and stacking I-Beams & H-Beams. An ring-center hoist eye allows for the beam flange to remain vertical. This series of clamps can be used in vertical and horizontal moving, transferring and stacking of different types of structural designs, such as H-Beams, angles, etc, depending on the application desired.



The IPBSNZ beam clamp is used for lifting, transferring and stacking I-Beams. An ring-center hoist eye allows for the beam flange to remain vertical. This series of clamps can be used in vertical and horizontal moving, transferring and stacking of different types of structural designs, such as H-Beams, angles, etc, depending on the application desired.



The IPTK & IPTKW series beam clamp is suitable for use as a temporary tackle eye for a beam.



The IPTKU series beam clamp has an improved hinged hoisting eye that increases the loading angles and an optional new double locking device.



This anchor clamp is suitable as an anchor device for one person, with a personal fall arrest (shearadised and with double locking) system.



The IPSTARTEC11 beam clamp has been specially developed for lifting with the body in vertical position, controlled tilting, transportation and stacking of steel "H" and "I" profiles. By placing the chain guide in the appropriate position, it is easy to switch from lifting to tilting and back again, which shifts the center of gravity.



The IPSC10 screw style clamp is for positioning, pulling and turning plates or fabrications.



The IPBT010 shipbuilding clamp is used as a temporary tackle eye in spaces which have been reinforced with HP (bulb) profiles such as engine rooms and shipsections. This clamp is fitted with a screwed spindle for easy attachment of the clamp. The moment a load is applied, the clamp is automatically fixed.



The IPBUZ shipbuilding clamps are used for lifting, transferring and placing bulb profiles onto ship's hulls perpendicularly. These clamps are fitted with a locking device for both open and closed positions, which ensures complete reliability. They are to be used exclusively for bulb profiles (not for plates).



The IPSBU(U)Z shipbuilding clamps are used for the lifting, transfer and placing of complete shipsections. These clamps are fitted with a locking device for both open and closed positions, which ensures complete reliability. They are to be used exclusively for bulb profiles (not for plates).



The IPDV drum clamp is for vertical lift and transfer. Allows drum to remain in an upright position during the lift and transfer using one clamp.



The IPVK drum clamp is for vertical lift and transfer. Automatically locks on drum, and can be used alone or in pairs.



The IPCC is suitable for the vertical lifting and transfer of concrete pipe sections and wells. Very easy application and removal of the clamp thanks to the built-in carrying-grips. Normally used in combination with 7mm chain (not supplied). These clamps must be used in pairs or more.